

## Special function module - AXL F CNT2 INC2 1F - 2688093

Please be informed that the data shown in this PDF Document is generated from our Online Catalog. Please find the complete data in the user's documentation. Our General Terms of Use for Downloads are valid (<http://phoenixcontact.com/download>)



Axioline F, Function module, Counter input for 24 V signals: 2, Incremental encoder inputs: 2, Symmetrical and asymmetrical encoders, Digital inputs: 8, 24 V DC, Digital outputs: 2, 24 V DC, transmission speed in the local bus: 100 Mbps, degree of protection: IP20, including bus base module and Axioline F connectors

### Product Description

The module is designed for use within an Axioline F station.


On the one hand, it is used to acquire fast pulse sequences from sensors, and on the other hand to detect positions using incremental encoders. The module combines two counter inputs for the evaluation of fast counter pulses and two incremental encoder inputs for position detection.

### Your advantages

- ✓ 2 counter inputs
- ✓ 2 incremental encoder inputs
- ✓ Maximum input frequency: 300 kHz/100 kHz (depending on the wiring)
- ✓ 32-bit counter (up and down)
- ✓ Output control according to two limit values
- ✓ Counter: counting (source) is controlled via a control input (gate)
- ✓ Counter: single or periodic counting
- ✓ Incremental encoder acquisition: Acquisition of digital signals from symmetrical and asymmetrical incremental encoders
- ✓ Incremental encoder acquisition: evaluation of linear or rotary axes
- ✓ Device rating plate stored



### Key Commercial Data

Packing unit	1 pc
GTIN	 4 046356 501439
GTIN	4046356501439
Weight per Piece (excluding packing)	240.000 g
Custom tariff number	85389091
Country of origin	Germany

## Special function module - AXL F CNT2 INC2 1F - 2688093

### Technical data

#### Dimensions

Width	53.6 mm
Height	126.1 mm
Depth	54 mm
Note on dimensions	The depth is valid when a TH 35-7,5 DIN rail is used (according to EN 60715).

#### Ambient conditions

Ambient temperature (operation)	-25 °C ... 60 °C
Ambient temperature (storage/transport)	-40 °C ... 85 °C
Permissible humidity (operation)	5 % ... 95 % (non-condensing)
Permissible humidity (storage/transport)	5 % ... 95 % (non-condensing)
Air pressure (operation)	70 kPa ... 106 kPa (up to 3000 m above sea level)
Air pressure (storage/transport)	70 kPa ... 106 kPa (up to 3000 m above sea level)
Degree of protection	IP20

#### General

Mounting type	DIN rail
Color	traffic grey A RAL 7042
Net weight	225 g
Note on weight specifications	with connectors and bus base module
Mounting position	any (no temperature derating)

#### Interfaces

Designation	Axoline F local bus
Number	2
Connection method	Bus base module
Transmission speed	100 Mbps

#### Axoline potentials

Designation	Axoline F local bus supply ( $U_{Bus}$ )
Supply voltage	5 V DC (via bus base module)
Current consumption	typ. 100 mA
	max. 120 mA
Power consumption	typ. 0.5 W
	max. 0.6 W
Designation	Supply voltage input $U_i$
Supply voltage	24 V DC
Supply voltage range	19.2 V DC ... 30 V DC including all tolerances, including ripple

## Special function module - AXL F CNT2 INC2 1F - 2688093

### Technical data

#### Axioline potentials

Current consumption	max. 2.5 A (dependent on the encoder or sensor type used and the load on the digital output.)
Power consumption	max. 60 W (of which 1.6 W internal losses)
Protective circuit	Surge protection electronic (35 V, 0.5 s)
	Reverse polarity protection parallel diode; with external 5 A fuse (only for commissioning)
Protection	max. 8 A (polarity reversal protection up to 5 A)

#### Counter inputs

Input name	Counter input for 24 V signals
Number of inputs	2 (S1, S2)
Description of the input	EN 61131-2, type 3
Connection method	Push-in connection
Input voltage	24 V DC
Input voltage range "0" signal	-3 V DC ... 5 V DC
Input voltage range "1" signal	11 V DC ... 30 V DC
Input frequency	max. 300 kHz (1 channel wired)
	max. 100 kHz (More than one channel wired or Z signal monitoring via the firmware)
Input current	typ. 2.5 mA (per channel)
Resolution	32 bits
Permissible cable length to the sensor	30 m

#### Encoder inputs

Input name	Incremental encoder inputs
Number of inputs	2 (A1, /A1, B1, /B1, Z1, /Z1; A2, /A2, B2, /B2, Z2, /Z2)
Connection method	Push-in connection
Encoder signals	Symmetrical and asymmetrical encoders
Cable length	< 30 m

#### Encoder data

Number of 5 V encoder supplies	2 ( $U_{E1}$ , $U_{E2}$ )
Nominal output voltage	5 V DC
Voltage range	5 V DC ... 5.5 V DC
Current carrying capacity	max. 250 mA
Type of protection	Short-circuit protection
Number of 24 V encoder supplies	2 ( $U_{S1}$ , $U_{S2}$ )
Nominal output voltage	24 V DC
Voltage range	19.2 V DC ... 30 V DC
Current carrying capacity	typ. 500 mA

## Special function module - AXL F CNT2 INC2 1F - 2688093

### Technical data

#### Encoder data

Type of protection	Short-circuit protection
Designation	Symmetrical incremental encoders
Encoder types that can be connected	max. 2 (A, /A, B, /B, (Z, /Z))
Encoder supply voltage	5 V DC
	24 V DC
Signal voltage level	Differential signal (signal – inverted signal) $\pm 0.5$ V, minimum; $\pm 6$ V, maximum
Common mode voltage range signal - ground	-10 V ... 13.2 V
Input frequency	max. 300 kHz (1 channel wired)
	max. 100 kHz (More than one channel wired or Z signal monitoring via the firmware)
Designation	Asymmetrical incremental encoder
Encoder types that can be connected	max. 2 (A, B, (Z))
Signal voltage level	Low $\leq 2.5$ V, high $\geq 3.5$ V (up to 27 V, maximum)
Input frequency	max. 300 kHz (1 channel wired)
	max. 100 kHz (More than one channel wired or Z signal monitoring via the firmware)

#### Digital inputs

Input name	Digital inputs
Description of the input	EN 61131-2, type 3
Connection method	Push-in connection
Connection technology	1-conductor (optional 2, 3-conductor)
Number of inputs	8 (CNT: G1, G2, Dir1, Dir2; INC: Ref1, Ref2, L1, L2)
Nominal input voltage $U_{IN}$	24 V DC
Nominal input current at $U_{IN}$	2.5 mA (per channel)
Input voltage range "0" signal	-3 V DC ... 5 V DC
Input voltage range "1" signal	11 V DC ... 30 V DC

#### Digital outputs

Output name	Digital outputs
Connection method	Push-in connection
Connection technology	1-conductor
Number of outputs	2 (Out1, Out2)
Protective circuit	Short-circuit protection, overload protection of the outputs
Output voltage	24 V DC
Nominal output voltage	24 V DC
Nominal load, inductive	max. 12 VA (1.2 H, 48 $\Omega$ , with nominal voltage)
Nominal load, lamp	max. 12 W (at nominal voltage)

## Special function module - AXL F CNT2 INC2 1F - 2688093

### Technical data

#### Digital outputs

Nominal load, ohmic	max. 12 W (48 Ω, with nominal voltage)
---------------------	--

#### Electrical isolation

Test section	5 V supply of the local bus ( $U_{Bus}$ ) / 24 V supply (I/Os) 500 V AC 50 Hz 1 min.
	5 V supply of the local bus ( $U_{Bus}$ ) / functional ground 500 V AC 50 Hz 1 min.
	24 V supply (I/O)/functional ground 500 V AC 50 Hz 1 min.

#### Standards and Regulations

Immunity to ESD	Noise immunity test in accordance with EN 61000-6-2 Electrostatic discharge (ESD) EN 61000-4-2/IEC 61000-4-2 Criterion B, 6 kV contact discharge, 8 kV air discharge
Immunity to EF	Noise immunity test in accordance with EN 61000-6-2 Electromagnetic fields EN 61000-4-3/IEC 61000-4-3 Criterion A, Field intensity: 10 V/m
Immunity to burst	Noise immunity test in accordance with EN 61000-6-2 Fast transients (burst) EN 61000-4-4/IEC 61000-4-4 Criterion B, 2 kV
Immunity to surge	Noise immunity test in accordance with EN 61000-6-2 Transient overvoltage (surge) EN 61000-4-5/IEC 61000-4-5 Criterion B, DC supply lines: $\pm 0.5$ kV/ $\pm 0.5$ kV (symmetrical/asymmetrical)
Immunity to conducted interference	Noise immunity test in accordance with EN 61000-6-2 Conducted interference EN 61000-4-6/IEC 61000-4-6 Criterion A, Test voltage 10 V
Interference emission	Noise emission test according to EN 61000-6-3 Class B
Mechanical tests	Vibration resistance in acc. with EN 60068-2-6/IEC 60068-2-6 5g
	Shock in acc. with EN 60068-2-27/IEC 60068-2-27 30g
	Continuous shock according to EN 60068-2-27/IEC 60068-2-27 10g
Protection class	III (IEC 61140, EN 61140, VDE 0140-1)

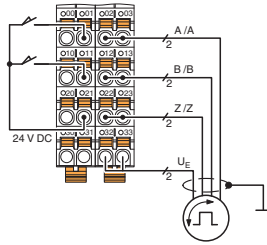
#### Environmental Product Compliance

REACH SVHC	Lead 7439-92-1
China RoHS	Environmentally Friendly Use Period = 50 years
	For details about hazardous substances go to tab "Downloads", Category "Manufacturer's declaration"

### Drawings

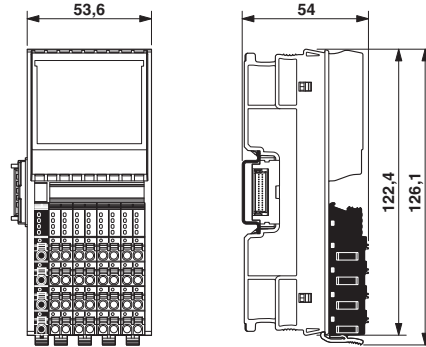
# Special function module - AXL F CNT2 INC2 1F - 2688093

Connection diagram

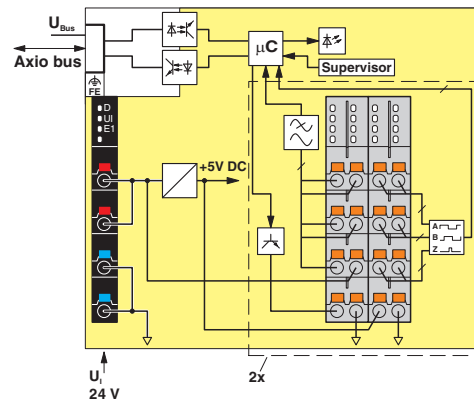


Quadrature encoder with 5 V supply

Dimensional drawing



Block diagram



Internal wiring of the terminal points

## Classifications

eCl@ss

eCl@ss 10.0.1	27242605
eCl@ss 11.0	27242605
eCl@ss 4.0	27240400
eCl@ss 4.1	27240400
eCl@ss 5.0	27242200
eCl@ss 5.1	27242600
eCl@ss 6.0	27242600
eCl@ss 7.0	27242605
eCl@ss 8.0	27242605
eCl@ss 9.0	27242605

# Special function module - AXL F CNT2 INC2 1F - 2688093

## Classifications

### ETIM

ETIM 4.0	EC001601
ETIM 5.0	EC001601
ETIM 6.0	EC001601
ETIM 7.0	EC001601

### UNSPSC

UNSPSC 6.01	43172015
UNSPSC 7.0901	43201404
UNSPSC 11	39121311
UNSPSC 12.01	39121311
UNSPSC 13.2	32151602
UNSPSC 18.0	32151602
UNSPSC 19.0	32151602
UNSPSC 20.0	32151602
UNSPSC 21.0	32151602

## Approvals

### Approvals

#### Approvals

PRS / BV / LR / KR / ABS / BSH / RINA / EAC / DNV GL / UL Listed / cUL Listed / cULus Listed

#### Ex Approvals

### Approval details

PRS		<a href="http://www.prs.pl/">http://www.prs.pl/</a>	TE/2239/880590/19
-----	---	---	-------------------

BV		<a href="http://www.veristar.com/portal/veristarinfo/generalinfo/approved/approvedProducts/equipmentAndMaterials">http://www.veristar.com/portal/veristarinfo/generalinfo/approved/approvedProducts/equipmentAndMaterials</a>	36433/B1 BV
----	---	---	-------------

# Special function module - AXL F CNT2 INC2 1F - 2688093

## Approvals

LR		<a href="http://www.lr.org/en">http://www.lr.org/en</a>	LR2001902TA
KR		<a href="http://www.krs.co.kr/eng/main/main.aspx">http://www.krs.co.kr/eng/main/main.aspx</a>	HMB17372-AC002
ABS		<a href="http://www.eagle.org/eagleExternalPortalWEB/">http://www.eagle.org/eagleExternalPortalWEB/</a>	18-HG1767360-PDA
BSH			840
RINA		<a href="http://www.rina.org/en">http://www.rina.org/en</a>	ELE030120XG
EAC			EAC-Zulassung
DNV GL		<a href="https://approvalfinder.dnvgl.com/">https://approvalfinder.dnvgl.com/</a>	TAA00000DF
UL Listed		<a href="http://database.ul.com/cgi-bin/XYV/template/LISEXT/1FRAME/index.htm">http://database.ul.com/cgi-bin/XYV/template/LISEXT/1FRAME/index.htm</a>	FILE E 238705
cUL Listed		<a href="http://database.ul.com/cgi-bin/XYV/template/LISEXT/1FRAME/index.htm">http://database.ul.com/cgi-bin/XYV/template/LISEXT/1FRAME/index.htm</a>	FILE E 238705
cULus Listed			

## Accessories

### Accessories



## Special function module - AXL F CNT2 INC2 1F - 2688093

### Accessories

#### Device marking

Insert label - EMT (35X46)R - 0801604



Insert label, for the Axioline F series from Phoenix Contact, Roll, white, unlabeled, can be labeled with: THERMOMARK ROLLMASTER 300/600, THERMOMARK X1.2, THERMOMARK ROLL X1, THERMOMARK ROLL 2.0, THERMOMARK ROLL, mounting type: snapped into marker carrier, lettering field size: 35 x 46 mm, Number of individual labels: 500

---

#### DIN rail connector

Bus connector - AXL F BS F - 2688129



Axioline F bus base module for housing type F

---

#### Shield connection

Shield connection - AXL SHIELD SET - 2700518



Axioline shield connection set (contains 2 shield bus holders and 2 SK 5 shield connection clamps)

---

#### Terminal marking

Zack marker strip - ZB 20,3 AXL UNPRINTED - 0829579



Zack marker strip for Axioline F (device labeling), in 2 x 20.3 mm pitch, unprinted, 25-section, for individual labeling with B-STIFT 0.8, X-PEN, or CMS-P1-PLOTTER

## Special function module - AXL F CNT2 INC2 1F - 2688093

### Accessories

Zack Marker strip, flat - ZBF 10/5,8 AXL UNPRINTED - 0829580



Zack Marker strip, flat, Strip, white, unlabeled, can be labeled with: PLOTMARK, CMS-P1-PLOTTER, mounting type: snap into flat marker groove, for terminal block width: 10.15 mm, lettering field size: 4 of 10.15 x 5 mm and 1 of 5.8 x 5 mm, Number of individual labels: 50