



Main

Range	TeSys
Range of product	TeSys D
Device short name	LADN
Product or component type	Auxiliary contact block
Range compatibility	TeSys D CAD TeSys D LC1D TeSys F LC1F TeSys F CR1F
Mounting location	Front
Pole contact composition	1 NO + 1 NC
Auxiliary contacts operation	Instantaneous
[Ue] rated operational voltage	690 V AC 25...400 Hz
[Ui] rated insulation voltage	690 V conforming to IEC 60947-5-1 600 V - certifications CSA 600 V - certifications UL
[Ith] conventional free air thermal current	10 A (at 60 °C)
Standards	EN/IEC 60947-5-1 UL 60947-5-1 CSA C22.2 No 60947-5-1 GB/T 14048.5
Product certifications	IECEE CB Scheme UL CSA CCC EAC

Complementary

Irms rated making capacity	140 A AC conforming to IEC 60947-5-1 250 A DC conforming to IEC 60947-5-1
Permissible short-time rating	100 A 60 °C 1 s 120 A 60 °C 500 ms 140 A 60 °C 100 ms
Protection type	GG fuse 10 A
Mechanical durability	30 Mcycles
Minimum switching current	5 MA
Minimum switching voltage	17 V
Non-overlap time	1.5 Ms on de-energisation no overlap between NC and NO contact 1.5 Ms on energisation no overlap between NC and NO contact
Insulation resistance	> 10 MOhm

Connections - terminals	Screw clamp terminals 1 0.00...0.00 in ² (1...2.5 mm ²)flexible with cable end Screw clamp terminals 1 0.00...0.00 in ² (1...2.5 mm ²)flexible without cable end Screw clamp terminals 2 cable(s) 1...2.5 mm ² flexible with cable end Screw clamp terminals 2 0.00...0.00 in ² (1...2.5 mm ²)flexible without cable end Screw clamp terminals 1 0.00...0.00 in ² (1...2.5 mm ²)solid screw clamp terminals 2 0.00...0.00 in ² (1...2.5 mm ²)solid
Tightening torque	15.05 Lbf.In (1.7 N.m) flat Ø 6 mm 15.05 Lbf.In (1.7 N.m) Philips No 2
Height	1.89 In (48 mm)
Width	1.02 In (26 mm)
Depth	1.65 In (42 mm)

Environment

Environmental characteristic	Normal environment
IP degree of protection	IP20 IEC 60529
Protective treatment	TH conforming to IEC 60068
Ambient air temperature for storage	-76...176 °F (-60...80 °C)
Ambient air temperature for operation	23...140 °F (-5...60 °C)
Operating altitude	3000 m

Packing Units

Unit Type of Package 1	PCE
Number of Units in Package 1	1
Package 1 Weight	1.20 Oz (34 g)
Package 1 Height	1.18 In (3 cm)
Package 1 width	1.65 In (4.2 cm)
Package 1 Length	2.09 In (5.3 cm)
Package 2 Weight	12.28 Oz (348 g)
Package 3 Weight	25.62 Lb(US) (11.623 kg)

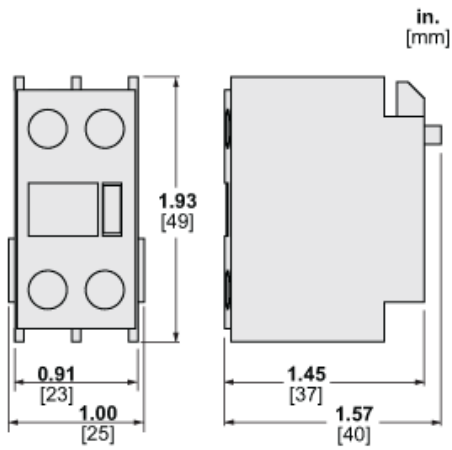
Offer Sustainability

Sustainable offer status	Green Premium product
REACH Regulation	REACH Declaration
REACH free of SVHC	Yes
EU RoHS Directive	Compliant EU RoHS Declaration
Toxic heavy metal free	Yes
Mercury free	Yes
RoHS exemption information	Yes
China RoHS Regulation	China RoHS Declaration
Environmental Disclosure	Product Environmental Profile
WEEE	The product must be disposed on European Union markets following specific waste collection and never end up in rubbish bins

Contractual warranty

Warranty	18 months
----------	-----------

Approximate Dimensions



Product Life Status : Commercialised