

RJ45 connector - VS-08-RJ45-10G/Q - 1419001

Please be informed that the data shown in this PDF Document is generated from our Online Catalog. Please find the complete data in the user's documentation. Our General Terms of Use for Downloads are valid (<http://phoenixcontact.com/download>)




RJ45 connector, IP20, CAT6_A, 8-pos., with QUICKON fast connection technology, for 26 ... 24 AWG 1-wire and 7-wire conductors, color: black

Your advantages

- ✓ Easy, time-saving assembly without special tools with QUICKON fast connection technology
- ✓ Future-proof due to CAT6_A with 10 Gbps
- ✓ Versatile use: cable 1-wire to 7-wire conductors AWG 26-24
- ✓ Can be used internationally with EAC B.01742, UL 1863, and CAN/CSA C22.2



Key Commercial Data

Packing unit	1 pc
GTIN	 4 046356 521567
GTIN	4046356521567
Weight per Piece (excluding packing)	20.000 g
Custom tariff number	85366990
Country of origin	Germany

Technical data

Mechanical characteristics

Connection method	IDC fast connection
Minimum external conductor diameter	4.5 mm
Maximum external conductor diameter	8 mm
AWG solid min.	26
AWG solid max.	24

RJ45 connector - VS-08-RJ45-10G/Q - 1419001

Technical data

Mechanical characteristics

AWG multi-stranded min.	26
AWG multi-stranded max.	24
Insertion/withdrawal cycles	≥ 750
Number of positions	8
Degree of pollution	2
Cable outlet	straight
No. of cable outlets	1
Locking type	Locking clips
Conductor cross section	0.13 mm ² ... 0.21 mm ² (solid)
	0.14 mm ² ... 0.23 mm ² (7-wire)
Weight	12 g
Flammability rating according to UL 94	V2

Ambient conditions

Ambient temperature (operation)	-40 °C ... 70 °C
---------------------------------	------------------

Material data

Contact surface material	AU
Contact material	Cu/Sn
Contact carrier material	PC
Cable gland material	PA
Housing material	PA 6.6
Width	13.8 mm
Height	17.3 mm
Length	55.6 mm
Housing surface material 1	PA, black

Electrical characteristics

Number of positions	8
Nominal voltage U _N	48 V
Nominal current I _N	1.75 A
Transmission speed	10 Gbps
Transmission characteristics (category)	CAT6 _A (IEC 60512-27-100:2008, TIA-568-C.2:2009)
GRP transmission properties	CAT6 _A (IEC 60512-27-100:2008, TIA-568-C.2:2009) CAT6 _A (IEC 60512-27-100:2008, TIA-568-C.2:2009)
Transmission speed	10 Gbps
Frequency range	to 500 MHz
Rated current	1.75 A
Degree of pollution	2

RJ45 connector - VS-08-RJ45-10G/Q - 1419001

Technical data

Electrical characteristics

Contact resistance	0.001 Ω (Wire – IDC)
	0.005 Ω (Litz wires – IDC)
Rated voltage (III/3)	72 V (DC)
Insulation resistance	> 500 MΩ

Standards and Regulations

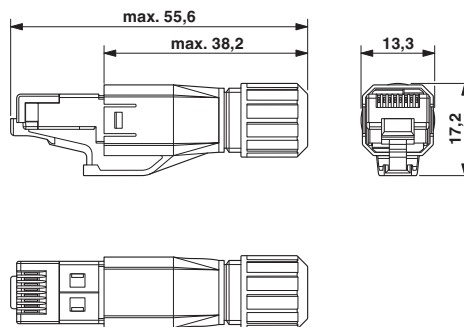
Flammability rating according to UL 94	V2
--	----

Environmental Product Compliance

REACH SVHC	Perfluorobutane sulfonic acid (PFBS) and its salts
China RoHS	Environmentally friendly use period: unlimited = EFUP-e
	No hazardous substances above threshold values

Drawings

Dimensional drawing



RJ45 connector, IP20

Classifications

eCl@ss

eCl@ss 10.0.1	27440101
eCl@ss 11.0	27440101
eCl@ss 4.0	27260700
eCl@ss 4.1	27260700
eCl@ss 5.0	27260700
eCl@ss 5.1	27260700
eCl@ss 6.0	27260700

RJ45 connector - VS-08-RJ45-10G/Q - 1419001

Classifications

eCl@ss

eCl@ss 7.0	27440101
eCl@ss 8.0	27440101
eCl@ss 9.0	27440101

ETIM

ETIM 2.0	EC000764
ETIM 3.0	EC001121
ETIM 4.0	EC002641
ETIM 5.0	EC002636
ETIM 6.0	EC002636
ETIM 7.0	EC002636

UNSPSC

UNSPSC 6.01	30211824
UNSPSC 7.0901	31261501
UNSPSC 11	31261501
UNSPSC 12.01	31261501
UNSPSC 13.2	39121409
UNSPSC 18.0	39121409
UNSPSC 19.0	39121409
UNSPSC 20.0	39121409
UNSPSC 21.0	39121409

Approvals

Approvals

Approvals


UL Listed / cUL Listed / EAC / cULus Listed


Ex Approvals


Approval details


RJ45 connector - VS-08-RJ45-10G/Q - 1419001

Approvals

UL Listed		http://database.ul.com/cgi-bin/XYV/template/LISEXT/1FRAME/index.htm	E335024-20150529
Nominal voltage UN		57 V	
Nominal current IN		1.75 A	

cUL Listed		http://database.ul.com/cgi-bin/XYV/template/LISEXT/1FRAME/index.htm	E335024-20150529
Nominal voltage UN		57 V	
Nominal current IN		1.75 A	

EAC		B.01687
-----	--	---------

cULus Listed	
--------------	---

Accessories

Accessories

Data cable by the meter

Network cable - VS-OE-OE-94B-100,0 - 1416567



Network cable, Ethernet CAT5 (1 Gbps), 8-position, PUR halogen-free, water blue RAL 5021, shielded, free cable end, on free cable end, cable length: 100 m

RJ45 connector - VS-08-RJ45-10G/Q - 1419001

Accessories

Network cable - VS-OE-OE-94B/... - 1417333



Network cable, Ethernet CAT5 (1 Gbps), 8-position, PUR halogen-free, water blue RAL 5021, shielded, free cable end, on free cable end, cable length: Free entry (0.5 ... 400 m)

Network cable - VS-OE-OE-94F-100,0 - 1416347



Network cable, Ethernet CAT6_A (10 Gbps), 8-position, PUR halogen-free, water blue RAL 5021, shielded, free cable end, on free cable end, cable length: 100 m

Network cable - VS-OE-OE-94F/... - 1417359



Network cable, Ethernet CAT6_A (10 Gbps), 8-position, PUR halogen-free, water blue RAL 5021, shielded, free cable end, on free cable end, cable length: Free entry (0.5 ... 400 m)

Female insert

RJ45 coupling - CUC-K-D1ZNI-S/R4GCHP8 - 1086108



RJ45 coupling, degree of protection: IP20, number of positions: 8, 10 Gbps, CAT6_A, material: Zinc die-cast, connection method: 2x RJ45, Keystone design for use with IP20 and IP67 panel mounting frame or integrated directly into the housing panel

RJ45 socket insert - CUC-I-J1ZNI-S/R4IDC8 - 1417274



RJ45 socket insert, type: RJ45, degree of protection: IP20, number of positions: 8, 10 Gbps, CAT6_A, material: Zinc die-cast, connection method: IDC connection, connection cross section: AWG 26- 22, cable outlet: straight, Adapter-free design

RJ45 connector - VS-08-RJ45-10G/Q - 1419001

Accessories

RJ45 socket insert - CUC-F-J1ZNI-S/R4IDC8 - 1418984



RJ45 socket insert, type: RJ45, degree of protection: IP20, number of positions: 8, 10 Gbps, CAT6_A, material: Zinc die-cast, connection method: IDC connection, connection cross section: AWG 26- 22, Freenet design for use with IP67 panel mounting frame and terminal outlets

RJ45 coupling - CUC-F-D1ZNI-S/R4GC8 - 1419022



RJ45 coupling, type: RJ45, degree of protection: IP20, number of positions: 8, 1 Gbps, CAT6, material: Zinc die-cast

RJ45 socket insert - CUC-K-J1ZNI-S/R4IDC8 - 1419021



RJ45 socket insert, type: RJ45, degree of protection: IP20, number of positions: 8, 10 Gbps, CAT6_A, material: Zinc die-cast, connection method: IDC connection, connection cross section: AWG 26- 22, Keystone design for use with IP20 panel mounting frame or integrated directly into the housing panel

Patch panel

DIN rail adapter - NBC-PP-G1PGY - 1041740



DIN rail adapter, type: Headers with shielding, degree of protection: IP20, material: PC-GF10, without assembled modules

DIN rail adapter - CUC-PP-D1PGY/R4GC8 - 1418094



DIN rail adapter, type: RJ45, degree of protection: IP20, number of positions: 8, 1 Gbps, CAT6, material: PC-GF, connection method: Coupling, color: gray

RJ45 connector - VS-08-RJ45-10G/Q - 1419001

Accessories

Stripping tool - VS-CABLE-STRIP-VARIO - 1657407



Stripping tool, for the multi-level stripping of shielded cables

Stripping tool - VS-CABLE-STRIP-VARIO - 1657407



Stripping tool, for the multi-level stripping of shielded cables